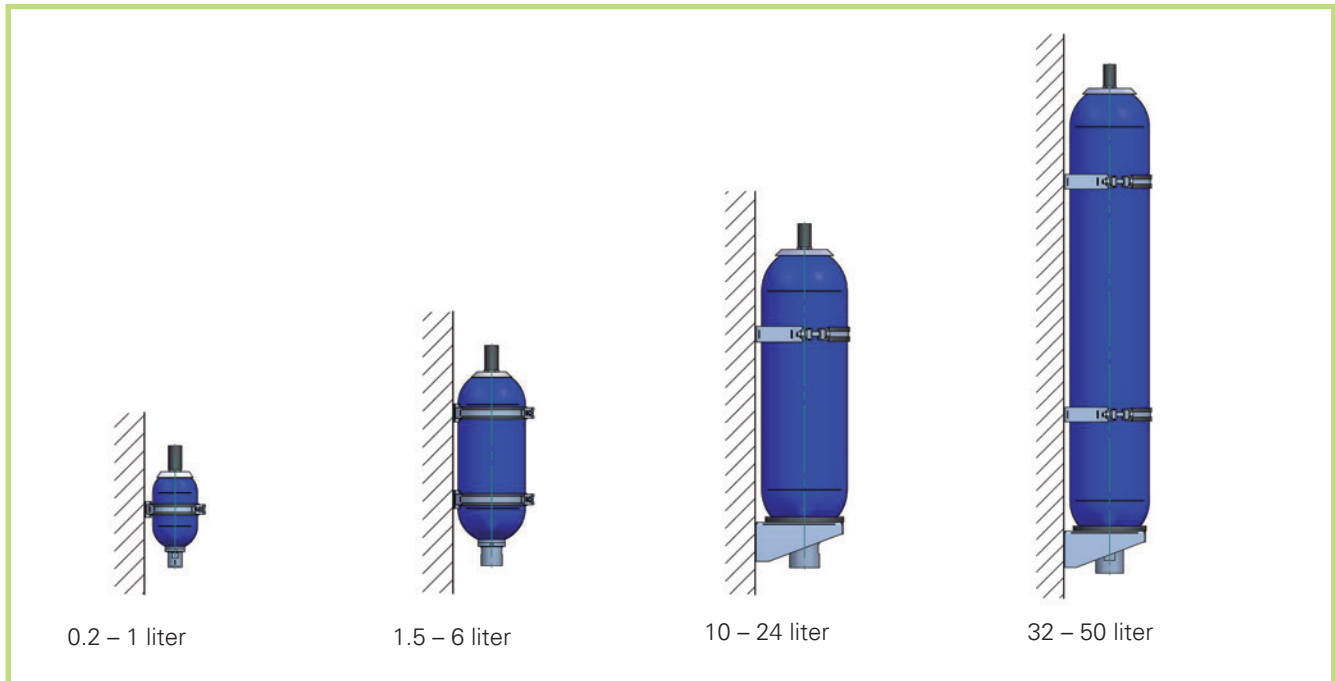


## Clamps and brackets

### Description

OLAER clamps and mounting brackets are used for simple and secure fixing of hydraulic accumulators independently from their mounting position and place.

The clamps and mounting brackets are galvanised. Together with their rubber insert, they damp vibrations and compensate expansions.



### Selection chart

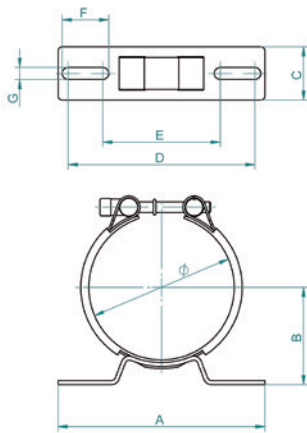
Dimensions on the back.

Referenz	Clamp		EHV / EHVf / EHV-DA			Bracket	EBV	ELM	
	ø in mm	Picture	up to 350 bar	690 bar	up to 5000 PSI			Picture	up to 250 bar
201492	58	1	0.2						
202508	87 – 97	1	0.5				0.5	0.32	
202509	99 – 109	1					1 – 5	0.5	
202510	112 – 124	1	1 – 2.5, 5	1 - 5				0.75	
202511	128 – 138	1						1	0.75
202512	146 – 157	1						1.4 – 2	
202513	166 – 176	1	4, 6, 10			999928		2.8 – 3.5	
202432	180	1							2.8 – 3.5
202514	215 – 219	2					10 – 50		
202515	219 – 226	2	10 K – 50			999932			
999936	230	2			10 – 50	999932			
999870	267	2		12 – 50		01K0006			
201274	368	2					100 – 200		

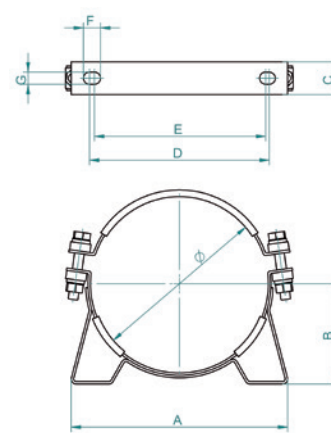
## Dimension

Reference	$\phi$ in mm	Picture	A in mm	B in mm	C in mm	D in mm	E in mm	F in mm	Type code
201492	58	1	133	40	30	102	91	14	9
202508	87 – 97	1	155	61 – 67	40	140	88	35	9
202509	99 – 109	1	155	68 – 73	40	140	88	35	9
202510	112 – 124	1	155	73 – 78	40	140	88	35	9
202511	128 – 138	1	155	80 – 85	40	140	88	35	9
202512	146 – 157	1	210	81 – 87	40	189	137	35	9
202513	166 – 176	1	210	92 – 96	40	189	137	35	9
202432	180	1	210	97 – 100	65	189	137	35	9
202514	215 – 219	2	270	121 – 124	40	222	210	21	15
202515	219 – 226	2	270	119 – 123	40	222	210	24	15
999936	230	2	254	123	36	220	212	13	9
999870	267	2	300	142	30	252	244	13	9
201274	368	2	415	200	50	346	334	21	15

Picture 1



Picture 2



## Bracket with rubber ring

Reference Bracket with rubber ring	Reference Rubber ring	A in mm	B in mm	C in mm	$\phi$ D in mm	E in mm	F in mm	G in mm	H in mm	J in mm	K in mm	$\phi$ L in mm
999928	201186	92	180	100	122	200	25	250	20	40	115	18
999932	201092	123	225	100	170	200	35	270	20	40	115	18
999891		137	250	191		108	66	216	35	111	206	17

Bild 3

