

### Silicone accumulators series SBV

#### Construction

Membrane accumulators with integrated disc, pressure vessel in steel, gas locking screw, not demountable.

#### Design pressure

Design pressure max. 40 bar.

#### Pre-Charge pressure

No precharging requested.

The accumulator is filled with silicone particles.

#### Temperature range

Standard model -10 °C to +80 °C

Other ranges on request.

#### Hydraulic fluids

Hydraulic oil (mineral oil).

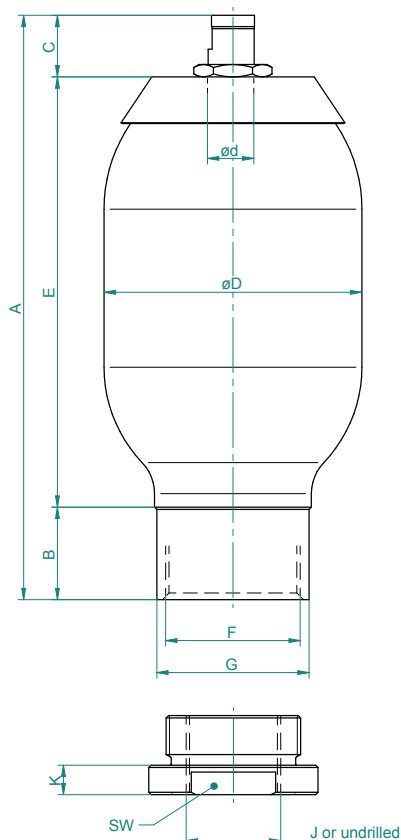
Other membrane materials on request.

#### Installation

Vertical (hydraulic assembly downwards) to horizontal.

#### Method of mounting

With mounting brackets according to OSP 775 data sheet, to order separately.



| Model               | Gasvol.<br>V0<br>litre | Design<br>pressure<br>bar | Weight<br>kg | Dimensions in mm |    |    |     |     |     |      |    |      |    |    |  |
|---------------------|------------------------|---------------------------|--------------|------------------|----|----|-----|-----|-----|------|----|------|----|----|--|
|                     |                        |                           |              | A                | B  | C  | ø D | ø d | E   | F    | G  | J    | K  | SW |  |
| SBV 0,5 – 40 / 00 * | 0,5                    | 40                        | 3            | 270              | 44 | 55 | 89  | 22  | 170 | G 2" | 68 | G 1" | 13 | 65 |  |
| SBV 1 – 40 / 90 *   | 1                      | 40                        | 5            | 292              | 44 | 55 | 114 | 22  | 193 | G 2" | 68 | G 1" | 13 | 65 |  |
| SBV 2,5 – 40 / 90   | 2,5                    | 40                        | 10           | 466              | 44 | 55 | 114 | 22  | 357 | G 2" | 68 | G 1" | 13 | 65 |  |

Issued in accordance with PED 2014/68/EC with CE marked.

\*Issued in accordance with PED 2014/68/EC, article 4 clause 3 , without CE-marking.