

Description Safety unit – DI 20

Nominal diameter

20mm

Safety valve volumetric flow

For allowed safety valve volumetric flows, see specifications on the rear side.

Design pressure

Manual: 400bar

Electrical: 350 bar

Temperature range

Standard model -20 °C to +70 °C

Electrical Discharge -20 °C to +60 °C

Other ranges on request.

Hydraulic fluid

Depending on the hydraulic fluid employer, use Perbunan or FPM (see Model key OSP 705).

Electrical data (option)

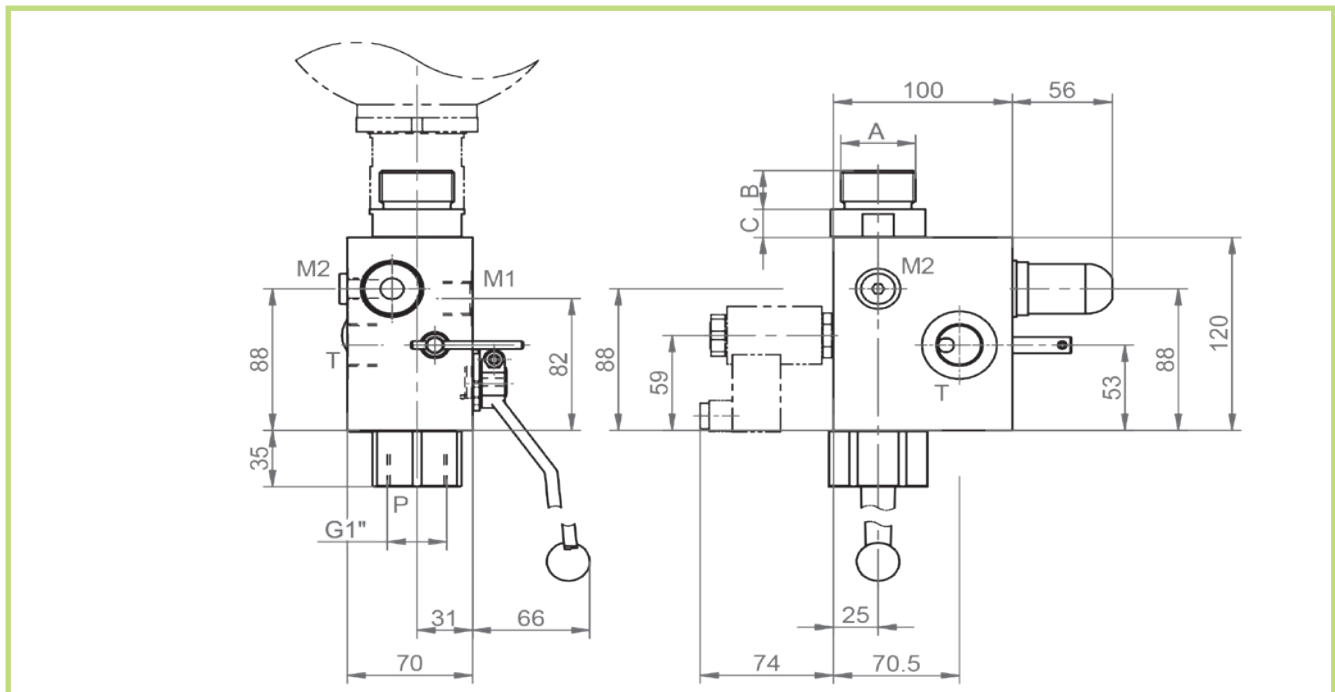
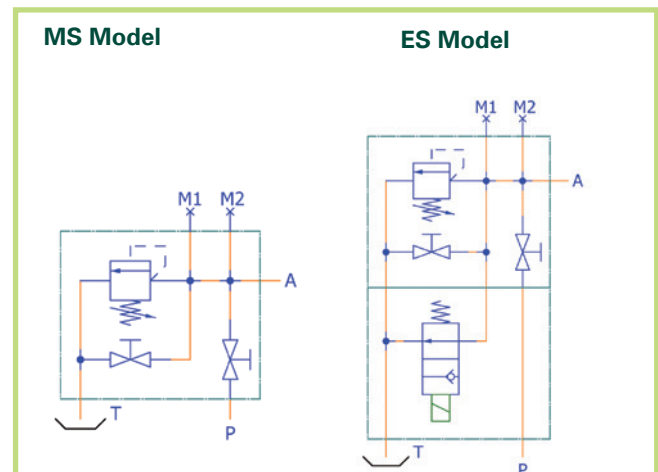
AC Voltage: 230 V 50 Hz ~

Voltage: 24 VDC

Other voltages on request.

Protection class: IP 65

Diagram

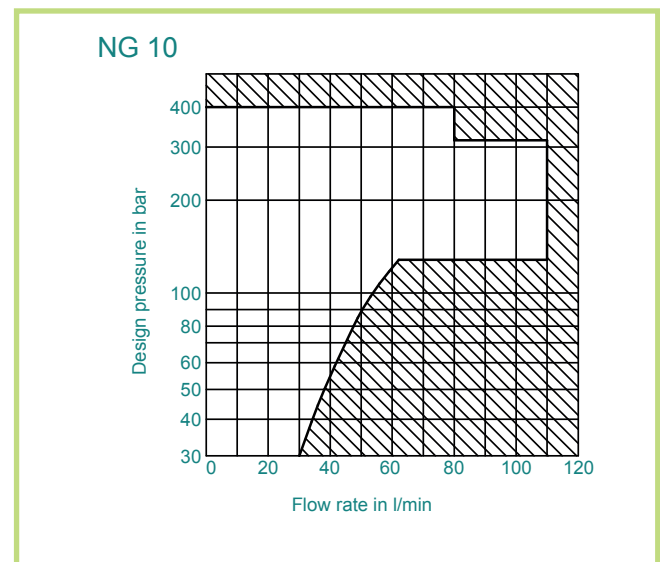


A	B in mm	C in mm	M1	M2	T	Weight in kg
G 1 ¼"	24	18	G ½"	G ¼"	G ¾"	M = 6,4
G 2"	24	18	G ½"	G ¼"	G ¾"	E = 6,9

Spare parts list

Pos.	Model		Part
	M	E	
1	1	1	Gasket assembly Pressure control valve
2	1	1	O-ring
3	1	1	Bearing ring
4	1	1	Gasket ring
5	1	1	Ball valve gasket assembly for base block
6	1	1	O-ring
7	1	1	O-ring
8	2	2	Spherical seating
9	1	1	O-ring
10	1	1	Sealing washer
11	1	1	O-ring
12	1	1	Conical nipple
13	1	1	O-ring

Safety Valve Volumetric Flow



Important informations

- Order example:
Ball valve gasket assembly Pos. 5 for base block DI20

