

Description Safety unit – DI 32-2

Nominal diameter

32mm

Safety valve volumetric flow

For allowed safety valve volumetric flows, see specifications on the rear side.

Design pressure

Manual: 400bar
Electrical: 350 bar

Temperature range

Standard model -20 °C to +70 °C
Electrical Discharge -20 °C to +60 °C
Other ranges on request.

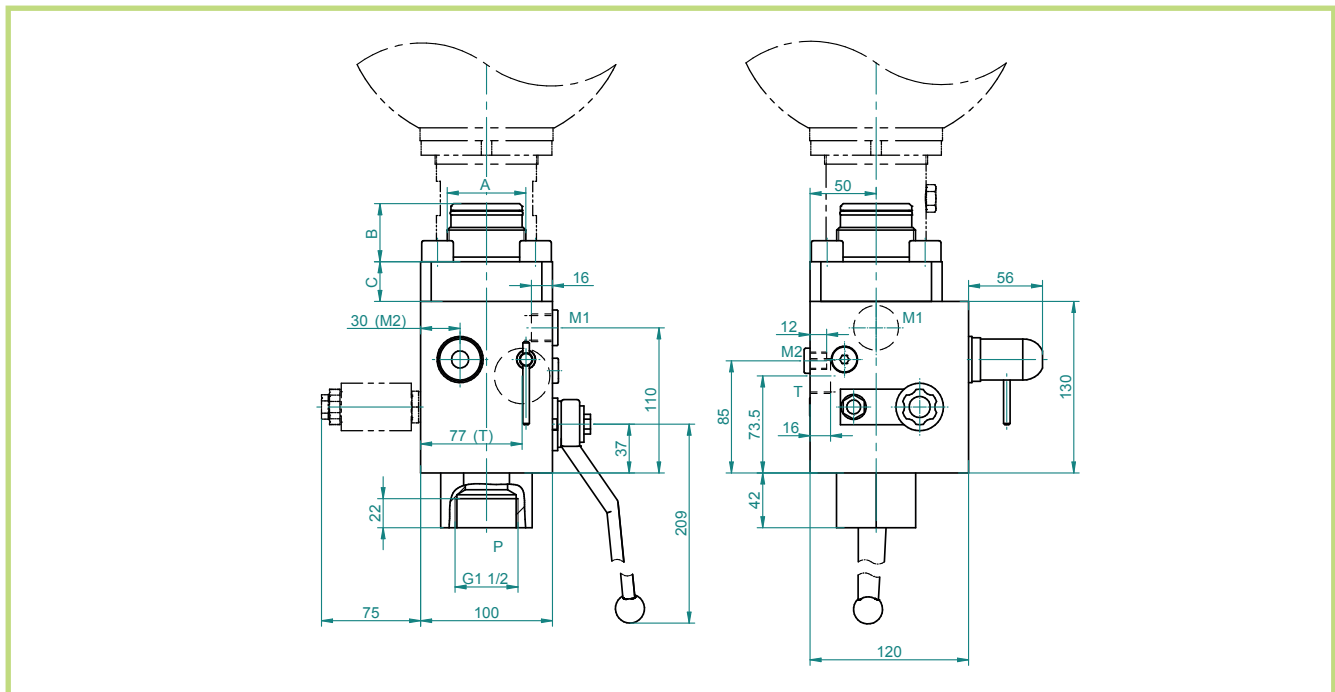
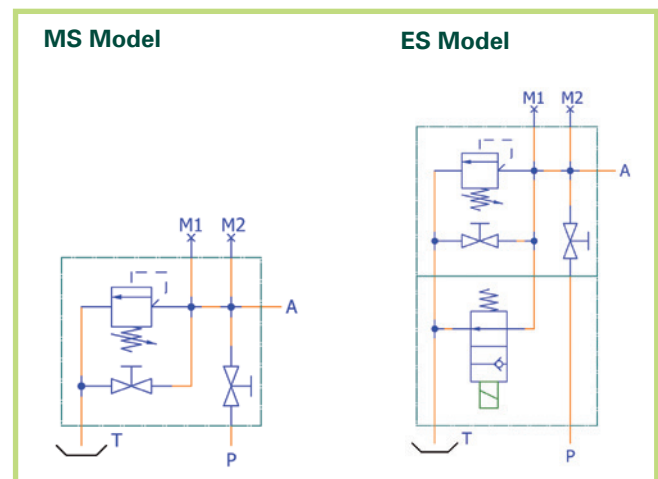
Hydraulic fluid

Depending on the hydraulic fluid employer, use Perbunan or FPM (see Model key OSP 705).

Electrical data (option)

AC Voltage: 230 V 50 Hz ~
Voltage: 24 VDC
Other voltages on request.
Protection class: IP 65

Diagram

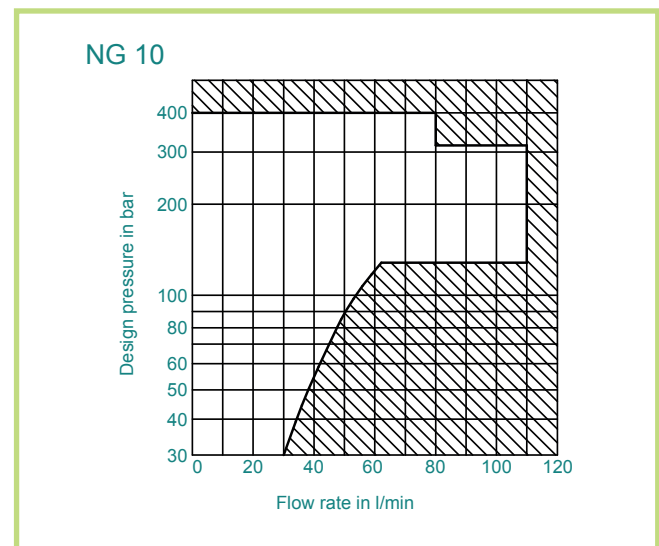


A	B in mm	C in mm	M2	M1	T	Weight in kg
G 1 1/4"	37	30	G 1/2"	G 1/4"	G 1/2"	M = 11,7 E = 12,2
G 2"	44	30	G 1/4"	G 1/2"	G 1/2"	

Spare parts list

Pos.	Model		Part
	M	E	
1	1	1	Gasket assembly Pressure control valve
2	1	1	O-ring
3	1	1	Bearing ring
4	1	1	Gasket ring
5	1	1	Ball valve gasket assembly for base block
6	1	1	O-ring
7	1	1	O-ring
8	2	2	Spherical seating
9	1	1	O-ring
10	1	1	Sealing washer
11	1	1	O-ring
12	1	1	Conical nipple
13	1	1	O-ring

Safety Valve Volumetric Flow



Important informations

- Order example:
Ball valve gasket assembly Pos. 5 for base block DI32-2

