

"Perforated" double non-return valve

Function

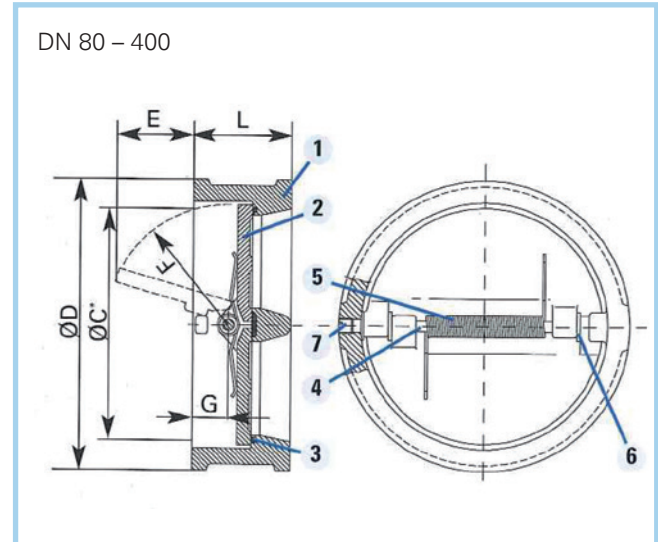
Prevents an oscillatory flowing back of the water column in the system.

Technical features

- Connection DN 80 – 400
- Operating pressure PN 10 – 40
- Operation temperature 0 °C to +80 °C

Mounting position / Mounting

- Mounting between two flanges
- Horizontal or vertical
- Valve opening, damper in direction of the main line,



Dimensions D

DN in mm	PN 10/16 in mm	PN 25 in mm	PN 40 in mm	L in mm	C in mm	E in mm	F in mm	G in mm	Weight in kg
80	143	143	143	64	71	18	41	33	3,8
100	163	169	169	64	96	28	52	26	5
125	194	194	194	70	125	35	70	33	6,8
150	219	219	224	75	128	33	70	35	8
200	275	284	293	89	192	60	104	36	15
250	329	338	355	114	244	81	126	48	27
300	380	402	419	114	295	100	153	49	34
350	440	458	-	127	320	108	168	54	53
400	490	514	-	140	380	137	195	58	70

Pos.	Designation	Quantity	Material
1	Body	1	Epoxy coated cast iron
2	Double valve	1	Stainless steel 316
3	Gasket	1	NBR
4	Spring	1	Stainless steel
5	Shaft	1	Stainless steel
6	Spacer disk	2	NBR
7	Screw	1	Galvanized iron EN ISO 898

